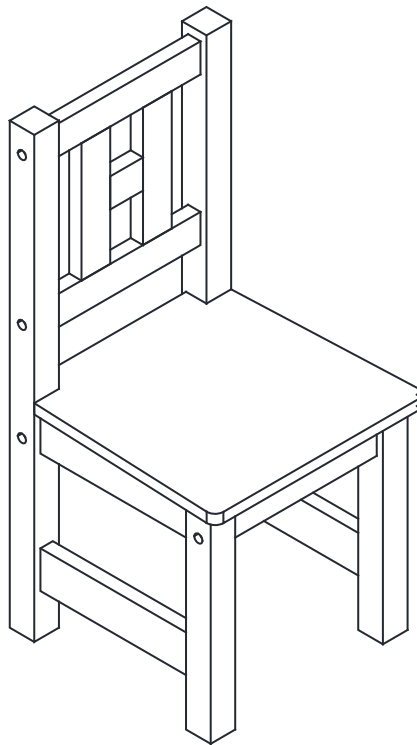


LITTLE NATION

Kid's Chairs (2) Design 1



CAUTION:

ADULT ASSEMBLY IS REQUIRED. HARDWARE CONTAINS SCREWS WITH SHARP POINTS. KEEP UNASSEMBLED PARTS OUT OF THE REACH OF SMALL CHILDREN. ADULT SUPERVISION IS RECOMMENDED.



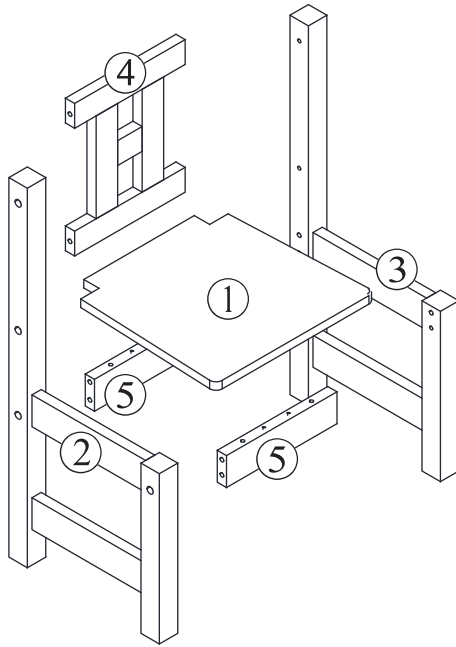
WARNING:

DO NOT STAND ON THE PRODUCT. DO NOT USE THE PRODUCT AS A STEP LADDER. DO NOT USE THE PRODUCT UNLESS ALL BOLTS, SCREWS AND KNOBS ARE FIRMLY SECURED. CHECK AND TIGHTEN ALL PARTS REGULARLY. MAXIMUM SAFE LOAD LIMIT: 50KG FOR TABLE AND CHAIRS. USE ON LEVEL SURFACE ONLY.



WARNING

CHOKING HAZARD-SMALL PARTS.
NOT SUITABLE FOR CHILDREN UNDER 3 YEARS.



A X16	B X16	C X16
D X1	E X8	F X8

