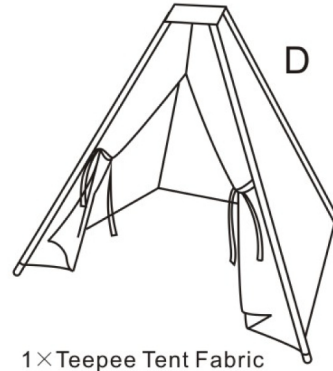
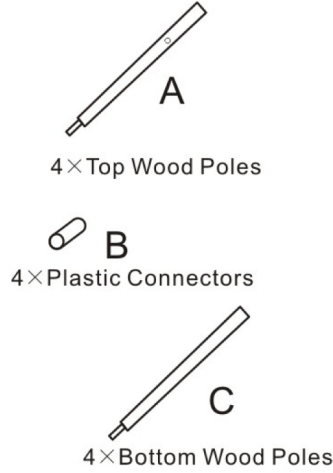
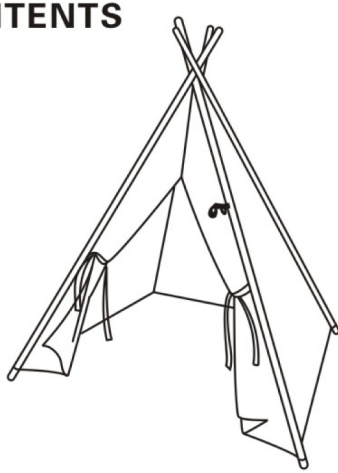


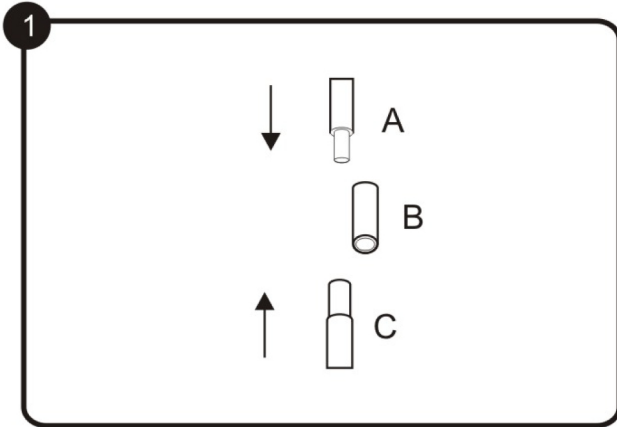
LITTLE NATION TeePee

INSTRUCTIONS

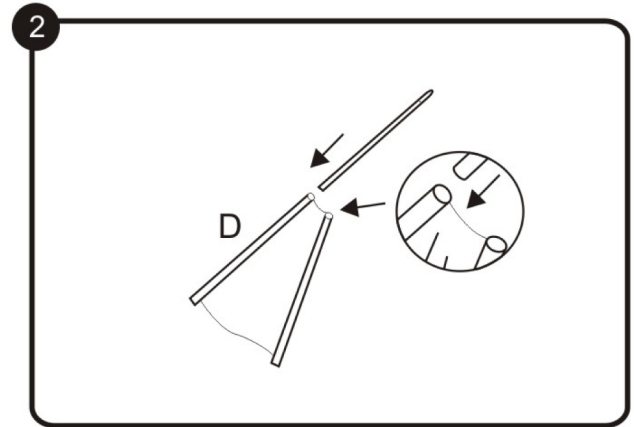
CONTENTS



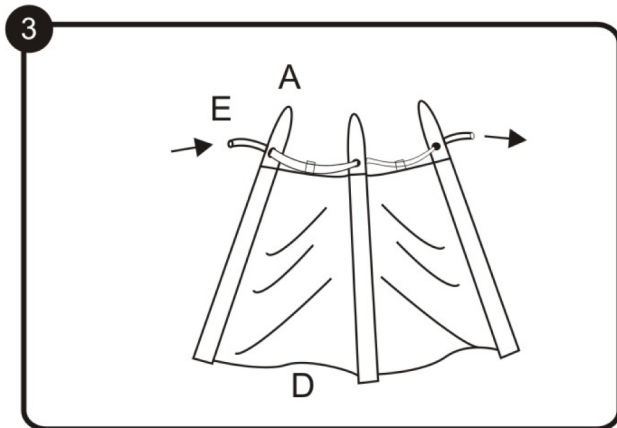
ASSEMBLY



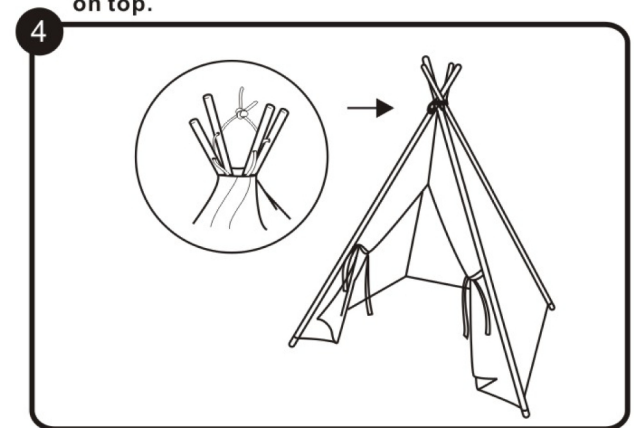
(1) To assemble the poles, connect Top Poles A and Bottom Poles C using the Plastic Connectors.



(2) Insert the assembled poles into the slits and into the pocket on the corner of the Teepee Fabric.
Note: Insert poles so that the end with the holes are on top.



(3) To assemble the poles, connect Top Poles A and Bottom Poles C using the Plastic Connectors.



(4) Find a flat, dry area to layout the assembled Teepee. Spread at the corners to the fullest extent.

SAFETY WARNINGS-PLEASE READ CAREFULLY

- * Use teepee on level ground, clear of stones or any sharp objects.
- * Do not modify this product!
- * Packaging is not a toy, please remove all packing before assembly. Keep it away from babies and children to avoid danger of suffocation.
- * ONLY to be assembled by an adult!
- * Designed for GENERAL CHILD PLAY ONLY /Recommended for indoor play!
- * Teepee is not waterproof, DO NOT use for camping outdoors.
- * NEVER LET A CHILD USE TEEPEE WITHOUT ADULT SUPERVISION!
- * CHECK POLES and CORD REGULARLY TO ENSURE THEY ARE SECURE!
- * ALWAYS KEEP TEEPEE AWAY FROM OPEN FLAMES!

CARE INSTRUCTIONS

- Dust often using a clean, soft, dry lint-free cloth.
- Blot spills immediately, and wipe with a clean, damp, cloth.
- We do not recommend the use of chemical cleansers, abrasives, or furniture polish.
- For fabric: spot clean only with a damp white cloth. Blot to remove excess water. Air dry.

⚠ WARNING:

CHOKING HAZARD-Small parts.

NOT RECOMMENDED FOR CHILDREN UNDER 36 MONTHS

Safety standard: AS/nzs ISO 8124