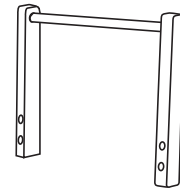
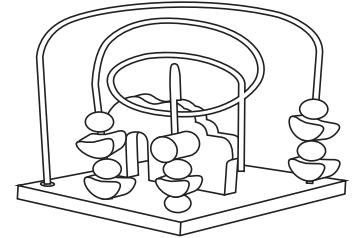
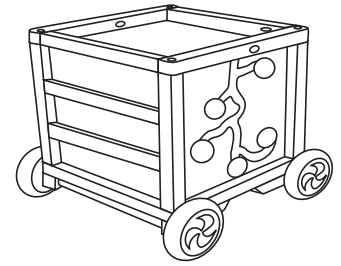
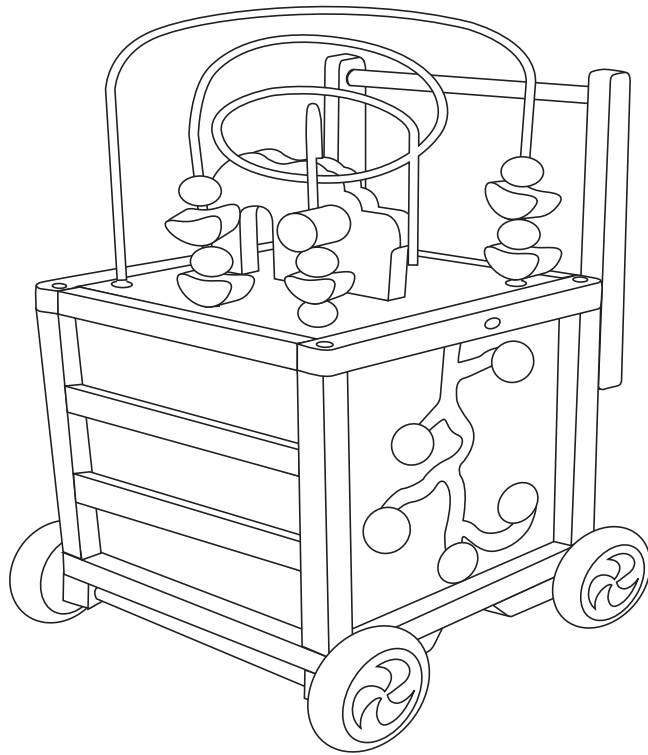


Please retain this information for future reference

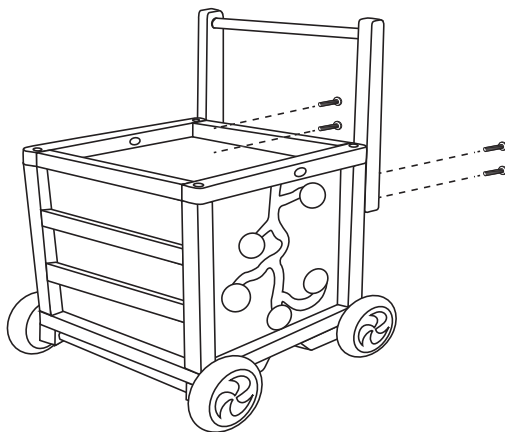
WoodenBaby Walker

Assembly instructions

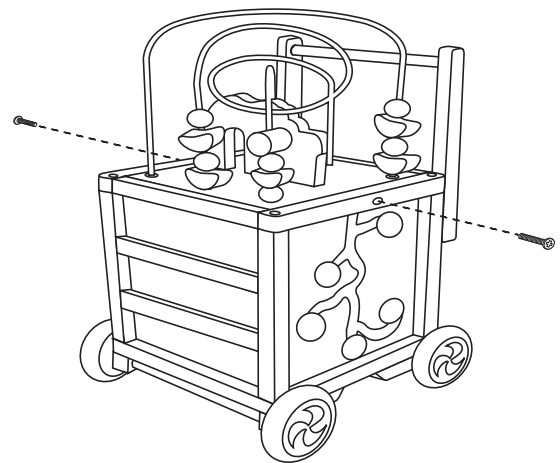


x6

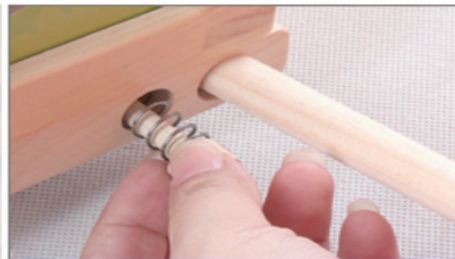
1



2



Rear Wheel Deceleration



Put the peg into spring and then insert it into the hole near by rear wheel. After installing the rear wheel, the springs and pegs can slow the rear wheel down.



WARNING:

ADULT ASSEMBLY REQUIRED.

Product includes small parts with potentially hazardous sharp points and sharp edges in the unassembled state.

Keep unassembled parts away from children.

CHOKING HAZARD. Small parts and sharp points, not suitable for children under 1 years.

